

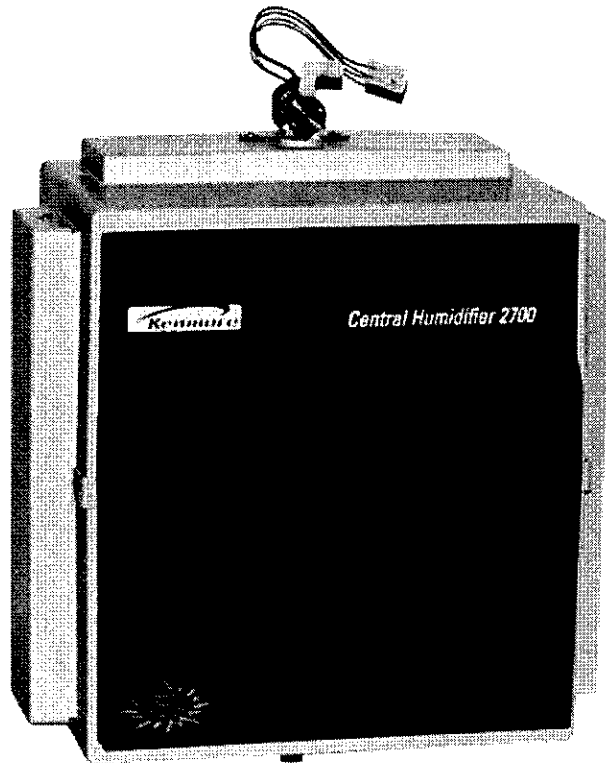
# SEARS

## OWNER'S MANUAL

MODEL NO.  
303.147012

**CAUTION:**  
Read and Follow  
All Safety Rules and  
Operating Instructions  
Before Starting  
Installation or First  
Use of This Product.

Save This Manual for  
Future Reference.



# Kenmore 2700 17 GALLON CENTRAL HUMIDIFIER

- Installation
- Maintenance
- Repair Parts
- Troubleshooting

# contents

WARRANTY .....	2	UNDERSTANDING HUMIDITY .....	3	HUMIDISTAT .....	7
BEFORE YOU START		SELECTING A LOCATION .....	4	OPERATION .....	8
Rules for Safe Installation		INSTALLATION .....	4	MAINTENANCE .....	9
and Operation .....	2	DISASSEMBLY .....	4	SERVICE HINTS .....	10
Tools and Materials Needed .....	2	WATER SUPPLY .....	6	REPAIR PARTS .....	11

## introduction

Please read the instructions before you install and use your humidifier. This will help you obtain the full value from the humidifier. It will also help you avoid any needless service cost, if the problem is something we cannot control and cannot cover in our Warranty.

### FULL ONE YEAR WARRANTY ON HUMIDIFIER

If, within one year from the date of purchase, this humidifier fails due to a defect in material or workmanship, Sears will repair it, free of charge.

WARRANTY SERVICE IS AVAILABLE BY SIMPLY CONTACTING THE NEAREST SEARS STORE OR SERVICE CENTER IN THE UNITED STATES.

This warranty gives you specific legal rights, and you may also have other rights which vary from state to state.

This warranty **DOES NOT** cover the replacement media pad.

Sears, Roebuck and Co., Dept. 817WA, Hoffman Estates, IL 60179

### DO-IT-YOURSELF CHECK LIST

If you feel the following operations are within your skills, you should have no difficulty installing this humidifier.

- Cutting and drilling sheet metal.
- Using hand tools: screwdriver, wrench, etc.
- Hooking up low voltage electrical connections.

### SEARS INSTALLATION POLICY

All installation labor arranged by Sears will be performed in a neat, workmanlike manner in accordance with generally accepted trade practices. Further, all installations will comply with all local laws, codes, regulations, and ordinances. The customer will also be protected, during installation, by insurance relating to property damage, Workman's Compensation, and public liability.

You must realize that the wrong use of any tool can be dangerous. Be sure you know how to use the tools and equipment to avoid any possible hazards. If you have any doubt we ask that you contact your Sears salesperson. They will arrange for professional installation.

### SEARS INSTALLATION WARRANTY

In addition to any warranty extended to you on the Sears merchandise involved, which warranty becomes effective the date the merchandise is installed, should the workmanship of any Sears arranged installation prove faulty within one year, Sears will, upon notice from you, cause such faults to be corrected at no additional cost to you.

## before you start

### RULES FOR SAFE INSTALLATION & OPERATION

1. Read these rules and the instructions carefully. Failure to follow the rules and instructions could cause bodily injury and/or property damage.
2. Check your local building codes and utility standards. The installation must comply with their rules.
3. Always shut off the furnace blower before installing or servicing the humidifier.
4. Always wear safety glasses when installing or servicing.
5. **HUMIDIFIER MUST NOT BE INSTALLED IN AREA WHERE FREEZING IS POSSIBLE OR LEAKING WOULD CAUSE WATER DAMAGE.**
6. Follow a regular service and maintenance schedule.
7. Always shut off electricity and water to the humidifier before servicing.
8. When the furnace blower is used for air-conditioning, the humidifier damper should be closed, and the humidistat should be turned to the minimum humidity setting.
9. **NEVER OIL ANY PART OF THE HUMIDIFIER.**

10. To prevent over humidification, humidifier must not be operated above humidistat high position or above the +20 position (whichever applies) except briefly to test operation after installation or servicing.

### TOOLS AND MATERIALS NEEDED

- Safety Glasses
- Straight edge ruler
- Pencil or grease pencil
- Hand drill or grounded electric drill
- Drill bits, 5/32", 1/8"
- Tin snips or metal cutting saw
- Wire strippers or razor knife
- Screwdriver (flat point, and Phillips, medium size)
- File
- Level
- Hammer
- Small adjustable wrench
- Center punch
- Spring hose clamp pliers

# THANK YOU!

Thank you for selecting a Sears Humidifier. It will provide years of service if you give it a little care.

## UNDERSTANDING HUMIDITY

Humidity can be puzzling. It cannot be seen, heard, touched, smelled or tasted. Many people do not understand what a humidifier will or will not do.

Probably the best way to judge whether the humidity is too high, too low or about right is to watch your windows. If they are heavily fogged you most likely have too much. If there is no moisture on

them at all, especially in the corners, you have too little. (*NOTE: Moisture will not normally form on thermopane or when storm windows are used.*) If there is some moisture in the window corners and along the edges, the humidity is just about right. This is a good rule of thumb, if you do not have an expensive piece of testing equipment. Your comfort is another good check.

## TYPICAL QUESTIONS ASKED

### 1. Why do moisture requirements vary from home to home?

Requirements depend on the amount and dryness of air to be humidified. The larger and more loosely constructed the home, the greater the quantity of moisture required.

### 2. How can I best check my home's relative humidity?

First give your humidifier time to build up the humidity to an acceptable level. Instruments are available to measure relative humidity, but from a practical standpoint, your comfort is the best guide. You cannot depend on table top or wall hung dial gauges.

### 3. How long will it take my humidifier to build up the humidity in my home?

Much depends on the outside temperature, time of year, home construction, and how dried out the home has become. In some cases, it may take a week or more.

### 4. What are some of the common things that cause higher than average air leakage in the home, therefore causing low humidity?

- A. Jalousie windows
- B. Open fireplace dampers
- C. Cracks around windows and doors
- D. Open doors and windows
- E. Unusually large attic or foundation vents
- F. Range hoods and bath fans

### 5. What else causes static shock besides low humidity?

Some types of carpets tend to create more static than others. While the proper humidity level will reduce the static level, it may not eliminate static entirely.

### 6. What is the safe humidity level for my home?

In order to determine the safe relative humidity for homes exposed to various low outside temperatures, NESCA\* conducted tests and published recommended humidity levels for various outdoor temperatures. These are shown in the chart. These levels help prevent damage to your home such as water running down the walls or even building up inside the walls.

The safe indoor relative humidity percentage is not a fixed number but will increase or decrease as the outdoor temperatures rise or fall.

Outside Temperatures	Maximum Safe Recommended Indoor Relative Humidity
-10° F	20%
0° F	25%
10° F	30%
20° F	35%
30° F	35%

\*NESCA = National Environmental Systems Contractors Association.

# selecting a location

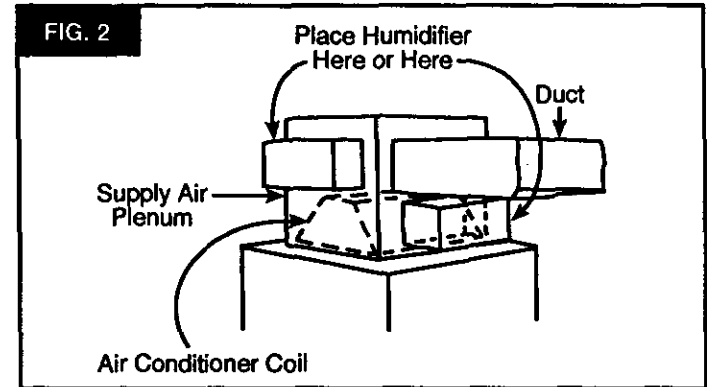
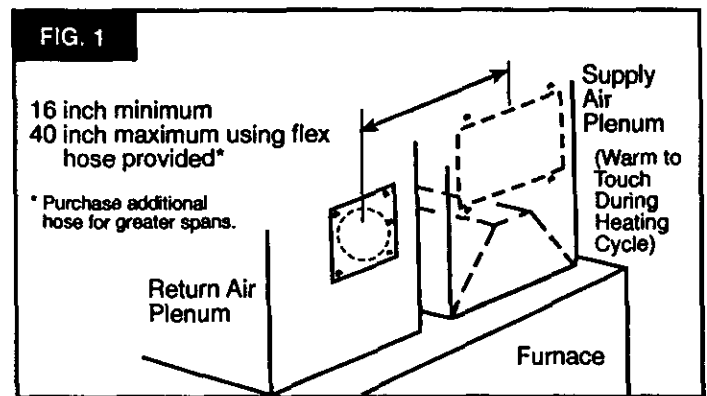
Consider these points as you choose the location for your humidifier.

Locate humidifier on supply air plenum (Fig. 1) or return air plenum. If the humidifier is installed on the return air plenum, the flexible hose, round opening, is connected to the supply air plenum.

If furnace is equipped with air conditioning, humidifier should be mounted above or at slope side of "A" coil to avoid possible splashing (Fig. 2) of water.

Humidifier should be installed so that if the humidifier or any other connections should leak, the resulting flow of water will not cause damage. Under no condition is Sears and the manufacturer to be held liable for any water damage in connection with this humidifier. Never install humidifier in attic or crawl space where freezing may occur or leaking will cause water damage.

If holes between supply air plenum and return air plenum must be located more than 40 inches apart (Fig. 1), standard 6 inch round pipe and fittings (not supplied) may be used, or an 8 foot section of flexible tube No. 28115205 may be purchased through the Sears parts department. Materials needed for this type installation are available at Sears.



# installation

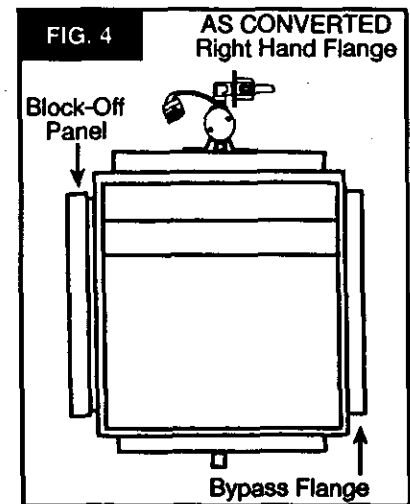
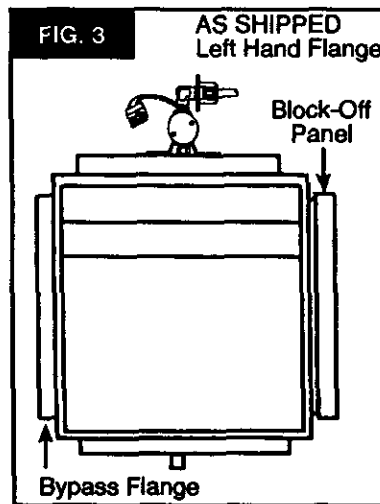
The humidifier is shipped with the block-off panel on the right side (Fig. 3). This is suitable for installation as shown in Fig. 1, above. If this is suitable for your installation, remove parts as shown under DISASSEMBLY.

If you require the block-off panel on the left side (Fig. 4), start with DISASSEMBLY then remove block-off panel from right flange and install with the same screws on left flange.

**FIBER PLENUM DUCTS**

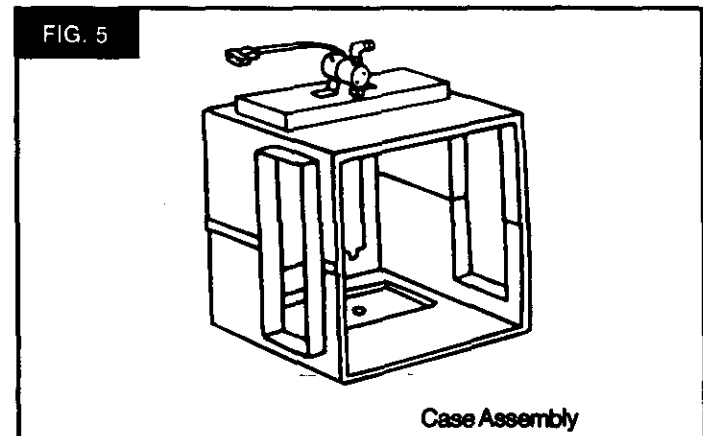
**NOTE:** The mounting screws supplied are for standard installation on sheet metal plenum ducts. If you have fiber plenum ducts, install the humidifier and components with thru-bolts, nuts, and washers (not supplied). (This fiber duct installation hardware is not supplied and must be purchased from you local hardware store.)

**CAUTION:** Safety glasses should be worn to prevent eye injury when installing humidifier.

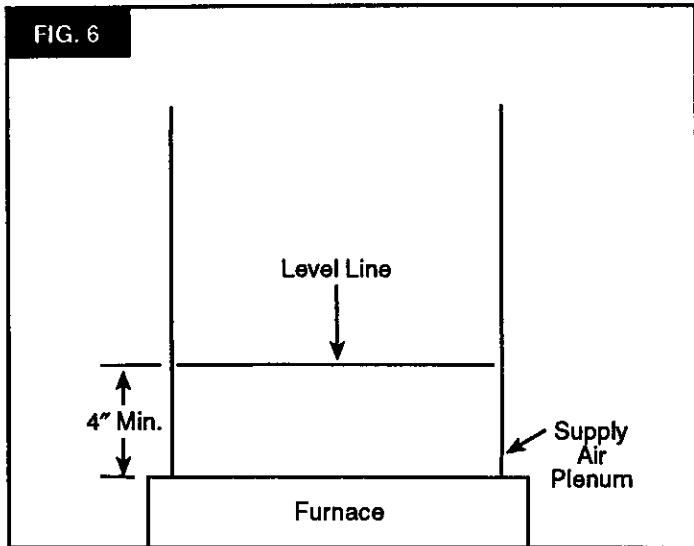


# disassembly

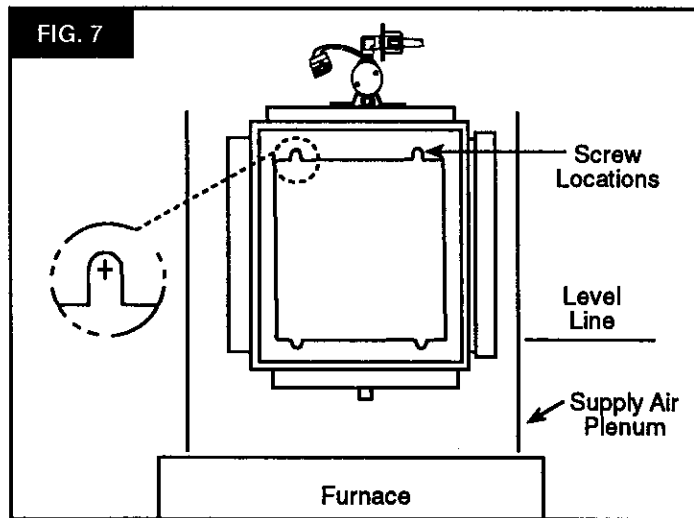
1. Take off front panel by sliding panel up and pulling out at the bottom.
2. Remove corrugated spacer and by-pass boot which contains damper, collar & flex tube and tube clamp.
3. Remove media pad by lifting bottom edge up slightly and pulling out.



- 1** Mark a level line on the supply air plenum (Fig. 6).



- 2** Hold case assembly against the plenum with bottom edge of rear opening on level line. Mark four corners of rectangular opening and four screw locations on plenum. Screw holes must be located at end of slot (Fig. 7).



- 3** Connect corner marks to outline rectangular opening. Center punch four screw locations (Fig. 8).

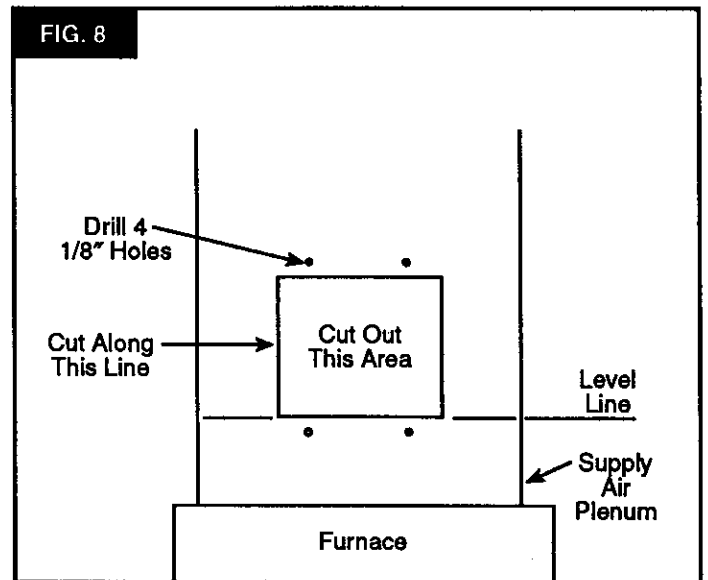
- 4** Drill or punch a large hole in one corner of rectangle. This will allow you to insert the tin snips or metal saw.

**CAUTION:** Be sure not to drill or cut into air conditioning coil or tubing.

- 5** Cut out the area inside the rectangle. If any of the edges are rough, file them smooth (Fig. 8).

- 6** Drill the four holes marked on the plenum with a 1/8" drill bit. Holes must be located at end of slot (Fig. 7).

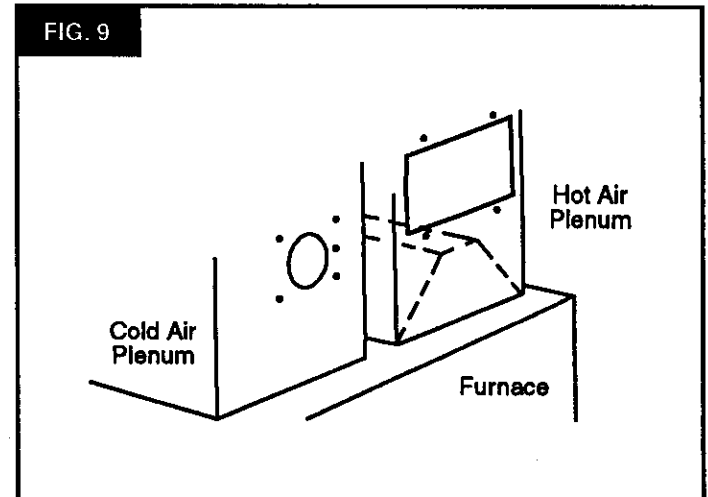
- 7** Attach the humidifier case assembly on the plenum using 4 #8 screws provided.



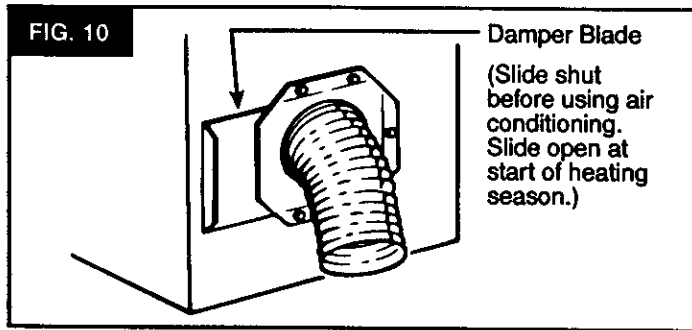
- 8** Hold collar and flexible tube assembly against cold air plenum at desired location.

- 9** Mark round opening inside collar and five mounting holes (Fig. 9).

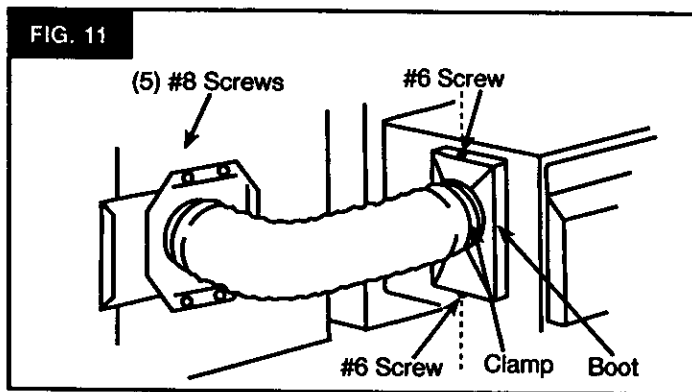
- 10** Center punch five screw locations. Drill or punch a large hole within the round opening. Cut out the area inside the round opening. Drill the five holes (Fig. 9).



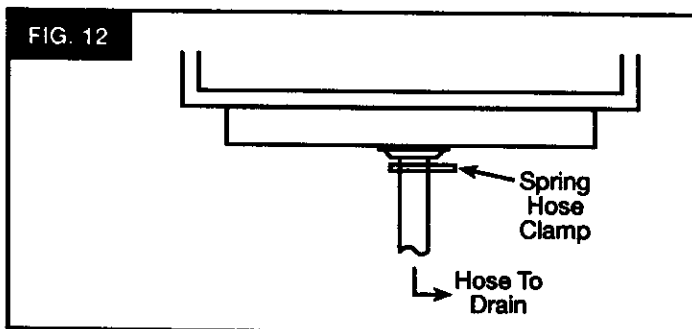
- 11** Attach collar and flexible hose to cold air plenum using (5) #8 screws provided. If additional flexible hose is required an eight foot length is available through the parts department, order 28115205. Before tightening screws insert damper between collar and plenum (Fig. 10). It should be open for humidifier operation.



- 12** Attach boot to humidifier using (2) #6 screws engaged in the tinnerman nuts provided in bypass flange. Connect the flexible tube as shown using clamp provided. Do not allow flexible tube to come within 3" of furnace flue pipe because of flue pipe's extreme heat (Fig. 11).



- 13** The waste water drain must be installed. The drain is in the bottom of the humidifier reservoir (Fig. 12). Use 1/2" I. D. x 10' plastic tubing to connect drain. (Tubing is supplied.) Additional tubing is available at your Sears store, Stock No. 42-3433



**CAUTION:** Wear safety glasses.

- 14** Using spring hose clamp pliers, expand hose clamp and slide over end of plastic tubing approximately 2 inches. Slide plastic tubing onto waste water drain. Expand hose clamp and position to clamp tubing to waste water drain (Fig. 12).

## installation

### WATER SUPPLY

**CAUTION:** Use plastic tubing supplied. Do not use copper tubing because it may become disconnected when used with hardware supplied.

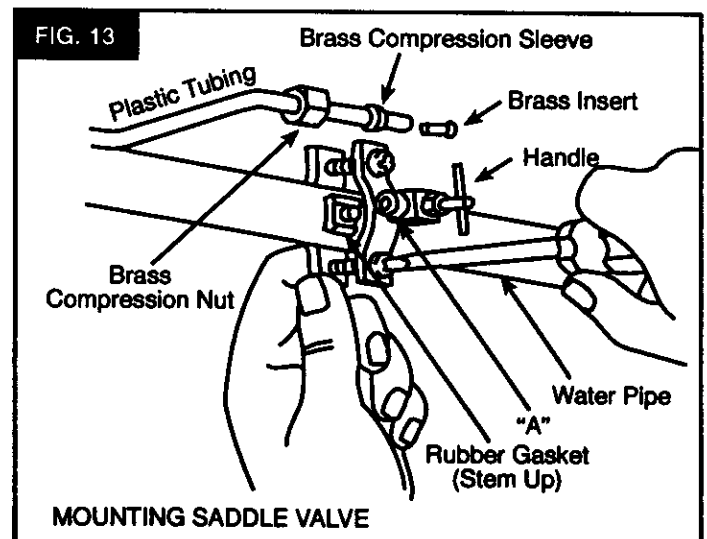
- 1** Water for the humidifier must be taken from a nearby cold water line. Turn off the water supply. Drain by opening a faucet at a lower level of the line.
- 2** Mount the saddle valve on the water line as close to the humidifier as possible. You have been supplied with (10) feet of 1/4" plastic tubing.

**SPECIAL NOTE:** When measuring the distance from the saddle valve location to the humidifier, keep in mind that the tubing must be supported; therefore, it must run along ceiling and walls. Measure along the path the tubing will follow.

- 3** Back out the piercing pin by turning the "T" handle counter clockwise and then clamp the saddle valve body securely on the water line with rubber gasket positioned as shown (Fig. 13). On galvanized or copper pipe over 5/8", first drill a 5/32" hole.

**CAUTION:** For safety use a hand drill or grounded electric drill.

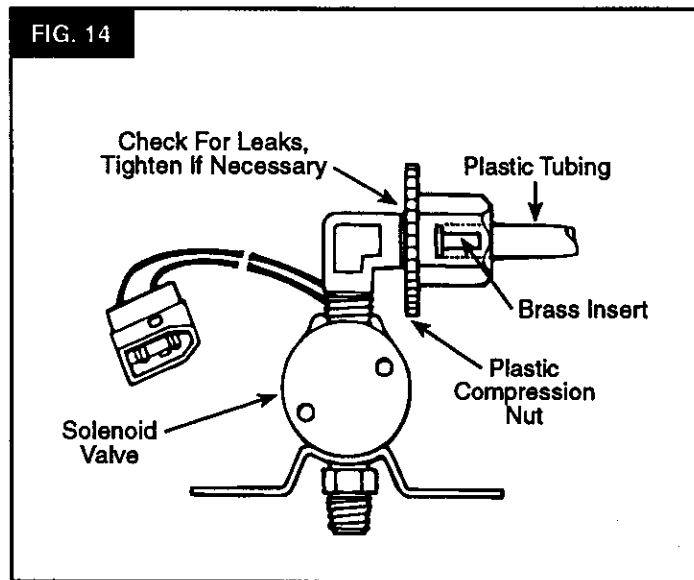
- 4** Turn handle clockwise until it has pierced the water line and valve is completely closed (Fig. 13).
- 5** Partially uncoil the tubing. Slide the brass compression nut over the tubing. The threads in the nut must face the tubing end. Place the brass compression sleeve as shown (Fig. 13). Slip brass insert into end of tubing.
- 6** Insert the tubing end into the saddle valve at threaded stem "A" (Fig. 13) as far as it will go. Thread the brass compression nut onto the valve, then tighten gently with a wrench. Take care not to overtighten the nut.



**7** Unwind the rest of the tubing. Take care not to kink it. Run the tubing along flat surfaces to the humidifier. Support the tubing as needed to avoid contact with furnace.

**8** Close previously opened faucet. Turn on main water supply. Place a pail under the end of the tubing. Open the saddle valve. Flush the line. Make sure there are no leaks along the line or at the valve. Turn valve off.

**9** With water supply tubing cut to the proper length, slide the plastic compression nut over the tubing. Slip brass insert into the end of tubing.



**10** Insert the tubing end into the solenoid valve fitting as far as it will go and hold it there, thread the plastic compression nut onto the fitting, then tighten securely, finger tight (no wrench). Do not over tighten nut (Fig. 14).

**11** Turn on water supply at saddle valve. Check for leaks at solenoid valve fitting and plastic compression nut.

**NOTE:** water will not flow thru humidifier until electrical installation is completed.

## Installation

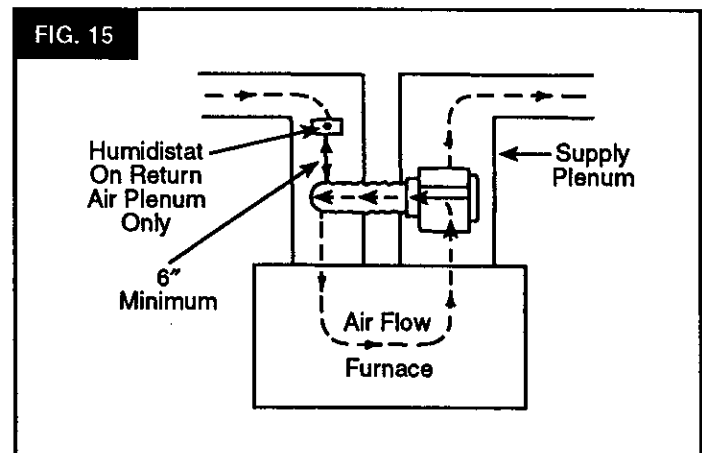
### HUMIDISTAT

The humidistat is designed to mount on the return air plenum of your furnace or on an interior wall of the home. The return air plenum, however, is the preferred location for sensing the average humidity throughout your home and is the location covered by installation steps 1 through 11. (If you decide on the wall mount location, the humidistat control unit must be removed and mounted to the opposite side of the plastic backplate so it will be housed inside of the plastic cover – omit shaft extension – purchase additional low voltage wire and run wire inside of wall to exit hole within the lower opening of the backplate.)

**NOTE:** The humidistat as supplied is assembled for return air plenum installation (Fig. 16.).

### RETURN AIR PLENUM MOUNT

**1** LOCATE THE HUMIDISTAT on return air plenum (Fig. 15). DO NOT install humidistat on supply air plenum. **HUMIDISTAT MUST BE MOUNTED AT LEAST 6" UPSTREAM FROM FLEXIBLE HOSE (OR HUMIDIFIER IF HUMIDIFIER INSTALLED ON RETURN AIR PLENUM).**

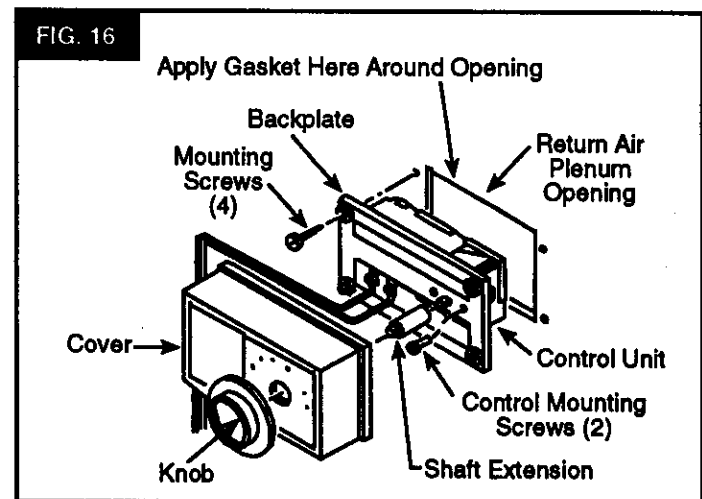


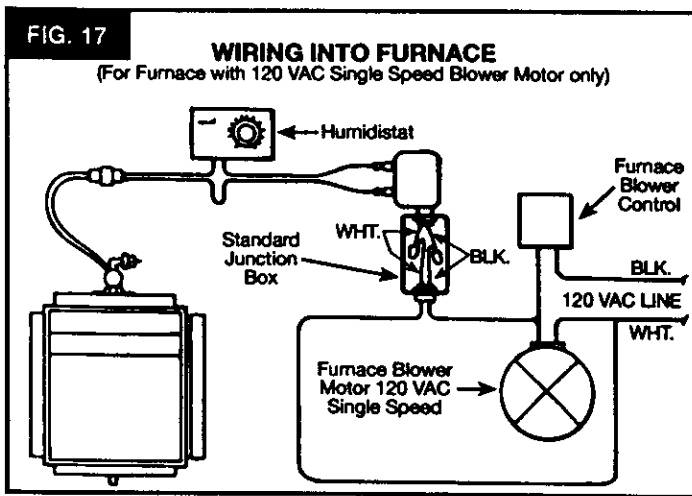
**2** HUMIDISTAT MOUNTS IN A HORIZONTAL POSITION. Peel paper backing from template and paste it on return air plenum where humidistat is to be mounted. Keep level.

**3** Drill 1/8" holes for the four mounting screws as shown on the template.

**4** Cut out center portion of template within solid lines.

**5** After removing paper backing from gasket, apply gasket around return air plenum opening as indicated on template (Fig. 16).





**6** Using low voltage wire supplied, connect spade terminals to solenoid valve on top of humidifier.

**7** Position and support wire to humidistat location. Separate wire. Cut only one wire, strip ends.

**8** Feed wires thru opening in humidistat back plate and attach to screw terminals. Mount humidistat on return air plenum using (4) #8 screws provided. Install shaft extension, cover and knob (Fig. 16).

**CONTROL CIRCUIT:** For proper operation and water conservation, this humidifier must be wired so it will operate only when the furnace blower is running and the humidistat calls for additional humidity. Two methods are shown (Fig. 17 and Fig. 18):

**Fig 17: WIRING INTO FURNACE - FOR ANY FORCED AIR FURNACE WITH SINGLE SPEED 120 VAC BLOWER ONLY.**

**CAUTION:** Do not use this method with multi-speed blowers or blowers other than 120 VAC.

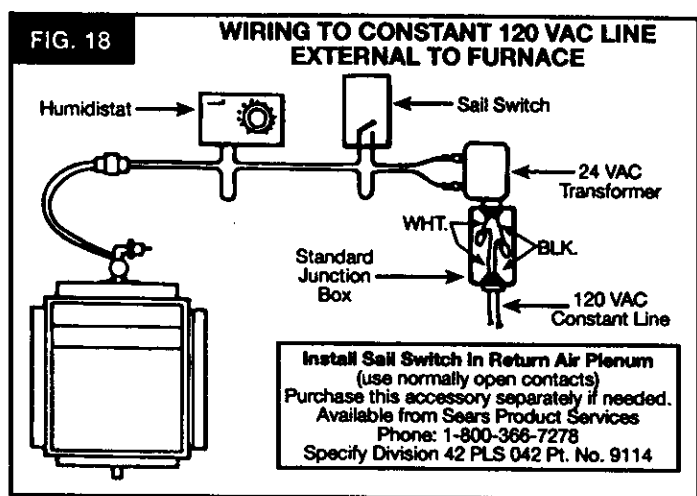
**Fig 18: WIRING EXTERNAL TO FURNACE - FOR ANY FORCED AIR FURNACE INCLUDING FURNACE WITH OTHER THAN 120 VAC BLOWER MOTOR OR FURNACE WITH MULTI-SPEED BLOWER MOTOR.**

**NOTE:** Some furnaces are equipped with accessory terminals that can be used for the humidifier. In this case, consult the furnace manufacturer's recommendation for wiring.

**9** Turn off electricity at fuse box. Using (two) wire nuts and conduit nut supplied, install 24 VAC transformer to 120 VAC supply junction box following the control circuit selected so the transformer will be powered only when the furnace blower is running. Do not use existing transformer on furnace.

**10** Connect spade terminals of low voltage wire to spade terminals of transformer.

**11** Turn on electricity and test operation by observing if water is flowing to drain while furnace is running and humidistat dial is set to "test" position.



Install Sail Switch in Return Air Plenum (use normally open contacts) Purchase this accessory separately if needed. Available from Sears Product Services Phone: 1-800-366-7278 Specify Division 42 PLS 042 Pt. No. 9114

**NOTE:** Wiring must conform to local codes.

**12** Attach "Operating Instruction Label" to return air plenum next to the humidistat. Peel off paper backing and stick label in desired location.

**operation**

**1** Set knob to the lowest temperature predicted for a 24 hour period. Because of differences in house construction you may want to try a higher or lower setting to achieve proper humidity.

**2** Change knob settings as outdoor temperature changes occur.

**WARNING:** DO NOT LEAVE KNOB SET IN "TEST" POSITION ABOVE "+20" OR HUMIDIFIER WILL RUN CONSTANTLY.

**IF SWEATING OF WINDOWS OR WALLS OCCURS OR IF AIR IS TOO DRY:**

Check dial setting. Indicator should point to the lowest 24 hour temperature. If setting does not agree, readjust knob to proper number and wait 24 hours for sweating to stop. If dial setting was correct and conditions have not changed, rotate knob back and forth from TEST to MINIMUM HUMIDITY SETTING. If humidifier goes ON and OFF, control is operating properly.

**AIR CONDITIONING - IMPORTANT:**

If your furnace has air conditioning (cooling), close the damper completely during summer months and turn the humidistat to the Minimum Humidity setting. BE SURE TO OPEN DAMPER DURING HEATING SEASON AND RESET THE HUMIDISTAT.

**WATER FLOW RATE:**

At standard water line pressure of 50-60 PSI (pounds per square inch), water will flow through humidifier at approximately four (4) gallons per hour. About 0.7 gallons per hour of the four will be evaporated, leaving 3.3 gallons to be drained away. Since the furnace only runs an estimated 30-40% of the heating season, and the humidifier is wired to operate only with the furnace blower, and only when humidity is required, the actual amount of water drained per day is much less than would be expected.



### SPLASH INSIDE HUMIDIFIER:

This humidifier depends on the difference of air pressure between the supply air plenum and the return air plenum to propel air through the humidifier. Some furnaces have higher pressures than others. This could result in air traveling at high speed through the humidifier. This can cause droplets of water to be picked up and splashed against the inside of the humidifier case. Eventually a

coating of lime will build up. It could, in extreme cases, cause leaking of water from the humidifier.

### TO REDUCE SPLASH:

Partially close the damper located in the collar on the return air plenum. Some experimenting may be necessary to find the proper setting.

## maintenance

### CLEANING AND SERVICE INSTRUCTIONS:

**CAUTION: Before performing service, inspection, or maintenance:**

- 1** Turn off electricity at furnace, humidifier, and humidistat.
- 2** Turn off water at humidifier saddle valve.
- 3** Wear safety glasses.

This humidifier is an appliance that evaporates water in large quantities. The dissolved minerals normally found in tap water in varying degrees are left as lime deposits on the media pad and other parts in contact with the water. Deposit build-up will reduce humidifier output. Annual cleaning and replacement of the media pad is recommended. Since water conditions vary, it may be necessary to service more or less often. Establish your own service schedule. Ease of service has been foremost in the design of this humidifier following the steps below:

### servicing the media pad

- 1** Lift off front panel.
- 2** Remove media pad by lifting bottom edge up slightly and pivoting out. Inspect and replace if badly blocked with mineral deposits. (Media Pad available from Sears, **Stock No. 42-14711.**)
- 3** If necessary, clean inside of humidifier case (especially lower drain area) with water and vinegar solution, detergent and water, or Sears All-Purpose Humidifier Cleaner, **Stock No. 42-14713.**
- 4** Install media pad by sliding top edge up and pivoting bottom edge into position.
- 5** Replace front panel.
- 6** Turn on water and electricity and test operation by observing if water is flowing to drain while furnace is running and humidistat is set to "test" position.
- 7** Set humidistat according to outdoor temperature as instructed on operating instruction label. Unit is back in operation.

## periodic preventative maintenance

Periodic inspection and preventative maintenance of these components is important for continued, efficient operation of the humidifier. Refer to exploded view for location of components.

**CAUTION: Be sure water and electricity are turned off as advised above.**

### distribution trough

- 1** Lift off front panel.
- 2** Loosen the (2) #6 outer screws on top of the humidifier. Remove and clean the distribution trough and pad set. Replace pad set (**Pt. No. 35587901**) if badly soiled.
- 3** Reassemble pad set and distribution trough and secure with the (2) #6 screws.

### drain tube

- 1** Using spring hose clamp pliers, expand hose clamp and remove drain tube.
- 2** Clear internal lime and calcium deposits by flexing or striking on hard surface.
- 3** Flush with water under pressure.
- 4** Reinstall drain tube and hose clamp.

### solenoid water filter

- 1** Remove water line at solenoid.
- 2** Remove nylon elbow inlet fitting filter/orifice assembly from solenoid valve by unscrewing (turn counter-clockwise).
- 3** Check for clogging by blowing through one end. If clogged, replace with new fitting assembly, **Part No. 05291201.**

**CAUTION:** This special fitting contains a brass filter and flow control orifice which must be in place for proper operation of your humidifier. (If not installed, too much water will flow and may cause leaking.)

- 4** Reinstall the nylon elbow inlet fitting filter/orifice assembly by carefully aligning the fine thread end containing the flow control orifice into the solenoid valve and screwing in (clockwise) until moderately tight.
- 5** Reinstall water line.
- 6** Replace front panel.
- 7** Turn on water and electricity and test operation by observing if water is flowing to drain while furnace is running and humidistat is set to "test" position. Check for leaks and tighten fitting as required.

- 8** Set humidistat according to outdoor temperature as instructed on operation instruction label. Do not leave in "test" position. Your humidifier should now be ready for many more months of trouble-free operation.

## summer shut down

Turn humidistat dial counter-clockwise to minimum setting position, close saddle valve, close bypass damper, and clean per above. (As a reminder, you might want to put a tag or sticker on the unit indicating it has been shut down for the summer and will require start up in the fall.)

## fall start up

Open saddle valve and open bypass damper. Test operation by observing if water is flowing to drain while furnace is running and humidistat dial is set to "test" position. Set humidistat according to outdoor temperature as instructed on operation instruction label. Unit is back in operation.

## service hints

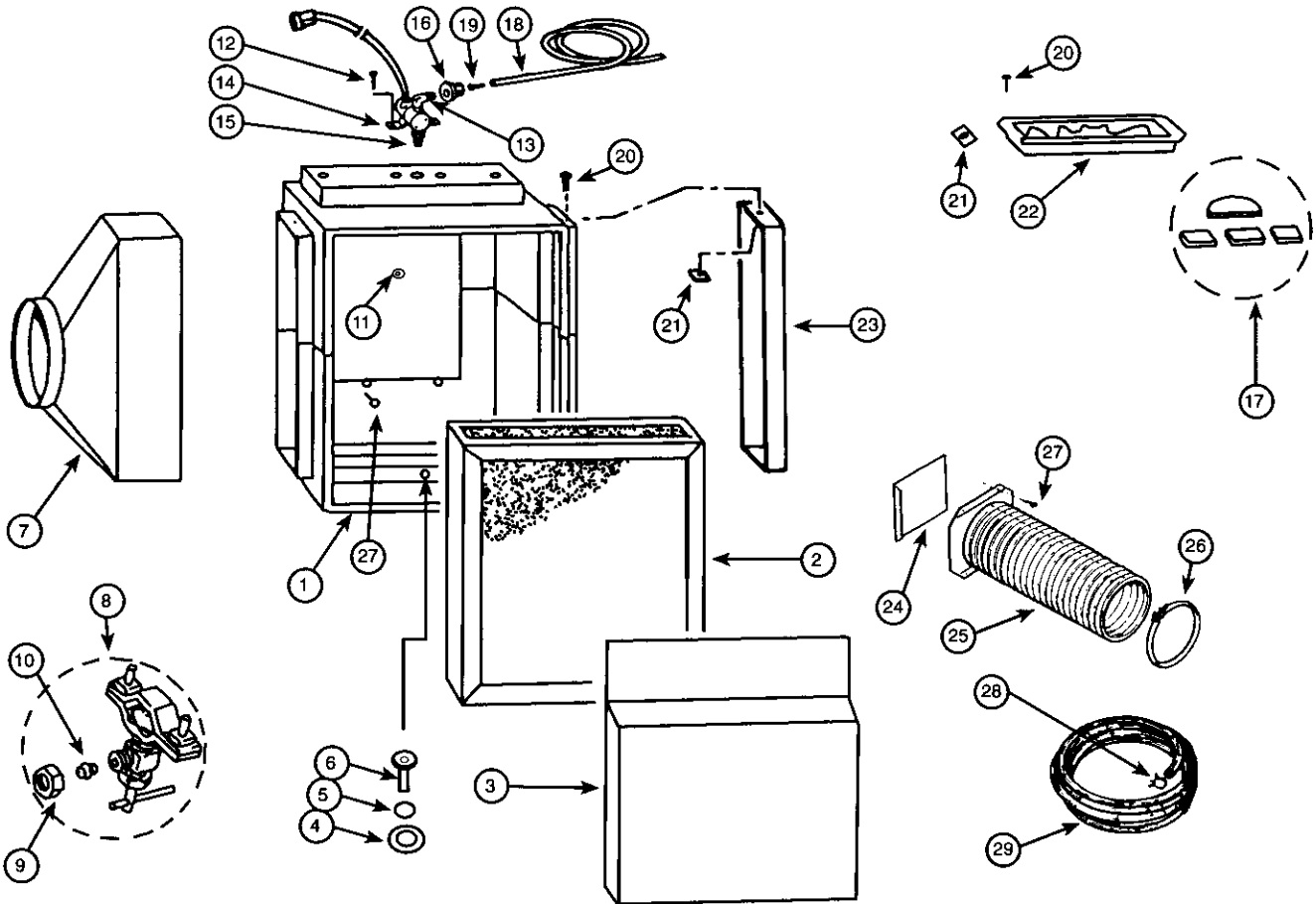
Frequently what seems to be a major problem can be solved very easily. Listed below are the common concerns with any humidifier.

Check the simple things first. Remove the front panel and see if there is a crusty, white lime build-up on the media pad. The lime build-up won't hurt the humidifier, but will reduce its output. Low output might just mean your humidifier needs cleaning.

CONDITION	WHAT TO CHECK	WHAT TO DO
Too little Humidity	<ol style="list-style-type: none"> <li>1. Check for obvious problems.</li> <li>2. Humidistat setting.</li> <li>3. Water to unit.</li> <li>4. Excessive air loss in house.</li> <li>5. Is damper open?</li> </ol>	<ol style="list-style-type: none"> <li>1.               <ol style="list-style-type: none"> <li>a. Replace media pad.</li> <li>b. Inspect main fuse or circuit breaker.</li> <li>c. Check to see if solenoid is operating.</li> <li>d. Humidistat setting too low, turn knob clockwise to increase humidity.</li> <li>e. Check distribution pad set and clean or replace if dirty or clogged.</li> </ol> </li> <li>2. Set for proper outdoor temperature – lowest 24-hour temperature.</li> <li>3. Turn on saddle valve and check for possible obstruction in water line. Is water supply connected? Check solenoid water filter and replace inlet fitting filter/orifice assembly if clogged.</li> <li>4. Close fireplace damper, seal around doors and windows.</li> <li>5. Slide damper out for winter operation.</li> </ol>
Too much Humidity	<ol style="list-style-type: none"> <li>1. Humidistat setting.</li> <li>2. Other humidification sources.</li> </ol>	<ol style="list-style-type: none"> <li>1. Turn knob counter-clockwise to decrease humidity.</li> <li>2. May be a temporary condition caused by moisture from laundering, bathing, cooking, etc.</li> </ol>
Humidifier Making Noise	<ol style="list-style-type: none"> <li>1. Mounting or plenum.</li> <li>2. Water pressure.</li> </ol>	<ol style="list-style-type: none"> <li>1. Tighten all fasteners.</li> <li>2. A slight sound is normal as water enters humidifier.</li> </ol>

# repair parts

CENTRAL SYSTEM HUMIDIFIER  
MODEL NO. 303.147012



KEY NO.	PART NO.	DESCRIPTION	KEY NO.	PART NO.	DESCRIPTION
1	21597201	Case Assembly	19	41067501	Brass Insert (2 Req.)
2	33521001	Media Pad (42-14711)	20	STD610603	Screw 6Z x 1/2" (6 Req.)
3	21595101	Front Panel	21	03022701	Nut 6Z (6 Req.)
4	21594201	Speed Clip	22	21594501	Distribution Trough
5	21594101	Rubber Washer	23	21594701	Block-Off Panel
6	21594001	Plastic Eyelet	24	43148901	Damper
7	21601101	Boot	25	43149102	Collar & Flexible Tube (3 Ft.)
8	35561801	Saddle Valve	26	21581001	Tube Clamp
9	STD575025	Brass Compression Nut	27	STD610803	Screw (No. 8 x 3/8") (9 Req.)
10	STD575026	Brass Compression Sleeve	28	28098302	Hose Clamp
11	03001804	Nut (No. 6-32 Thread) (2 Req.)	29	35548801	Drain Tube (10 Ft.)
12	03028705	Screw (No. 6-32 x 1/2") (2 Req.)	*	21603901	Lead Wire (10 Ft.)
13	05291201	Inlet fitting filter/orifice	*	35587302	Humidistat (24 VAC)
14	21597701	Solenoid Valve	*	41053902	Transformer (24 VAC)
15	21598701	Outlet Fitting	*	21595501	Owner's Manual (0796)
16	25514001	Plastic Compression Nut			
17	35587901	Distribution Pad (Set)			
18	21582703	Plastic Supply Tubing (1/4" x 10 Ft.)			

THIS IS A PARTS LIST, NOT A PACKING LIST

\*Not Shown

# Kenmore 303.14701 FURNACE HUMIDIFIER MAINTENANCE

## (APPLY THIS LABEL WHERE EASILY SEEN)

*Cleaning frequency is dependent upon mineral content of water supply.  
Check every 60 Days until schedule can be determined.*

**CAUTION:** Before performing service, inspection, or maintenance: Turn off electricity to furnace and humidifier, turn off water at humidifier saddle valve, wear safety glasses.

### SERVICING THE MEDIA PAD

1. Lift off front panel.
2. Remove media pad by lifting bottom edge up slightly and pivoting out. Inspect and replace if badly blocked with mineral deposits - available from Sears (stock number 42-14711).
3. If necessary, clean inside of humidifier case (especially lower drain area) with water and vinegar solution, detergent and water, or Sears All-Purpose Humidifier Cleaner stock no. 42-14713.
4. Install media pad by sliding top edge up and pivoting bottom edge into position.
5. Replace front panel.
6. Turn on water and electricity and test operation by observing if water is flowing to drain while furnace is running and humidistat is set to "test" position.
7. Set humidistat according to outdoor temperature as instructed on operating instruction label. Unit is back in operation.

### PERIODIC PREVENTATIVE MAINTENANCE

Periodic inspection and preventative maintenance of these components is important for continued, efficient operation of the humidifier. Refer to exploded view in your owners manual for location of components. **CAUTION:** Be sure water and electricity are turned off as advised above.

### DISTRIBUTION TROUGH

1. Lift off front panel.
2. Loosen the (2) #6 outer screws on top of the humidifier. Remove and clean the distribution trough and pad set. Replace pad set (part number 355879-01) if badly soiled.
3. Reassemble pad set and distribution trough and secure with the (2) #6 screws.

### DRAIN TUBE

1. Using spring hose clamp pliers, expand hose clamp and remove drain tube.
2. Clear internal lime and calcium deposits by flexing or striking on hard surface.
3. Flush with water under pressure.
4. Reinstall drain tube and hose clamp.

### SOLENOID WATER FILTER

1. Remove water line at solenoid.
2. Remove nylon elbow inlet fitting filter/orifice assembly from solenoid valve by unscrewing (turn counterclockwise).
3. Check for clogging by blowing through on end. If clogged, replace with new fitting assembly, Part No. 052912-01. **CAUTION:** This special fitting contains a brass filter and flow control orifice which must be in place for proper operation of your humidifier.
4. Reinstall the nylon elbow inlet fitting filter/orifice assembly by carefully aligning the fine thread end containing the flow control orifice in the solenoid valve and screwing in (clockwise) until moderately tight.
5. Reinstall water line.
6. Replace front panel.
7. Turn on water and electricity and test operation by observing if water is flowing to drain while furnace is running and humidistat is set to "test" position. Check for leaks and tighten fitting as required.
8. Set humidistat according to outdoor temperature as instructed on operation instruction label. Do not leave in "test" position. Your humidifier should now be ready for many more months of trouble-free operation.

### Summer Shutdown

Turn humidistat dial to "minimum setting", close saddle valve, close bypass damper, and clean per above. (As a reminder, you might want to put a tag or sticker on the unit indicating it has been shut down for the summer and will require start up in the fall.)

### Fall Startup

Open saddle valve and open bypass damper. Test operation by observing if water is flowing to drain while furnace is running and humidistat dial is set to "test" position. Set humidistat according to outdoor temperature as instructed on operation instruction label. Unit is back in operation.

# SEARS

## OWNER'S MANUAL

**MODEL NO.  
303.147012**

The model number of your humidifier is found on the serial plate attached to the side of humidifier.

When requesting service or ordering parts, always provide the following information:

- Product Type
- Model Number
- Part Number
- Part Description

# Kenmore 2700 17 GALLON CENTRAL HUMIDIFIER

For the repair or replacement parts you need  
Call 7:00 a.m. - 7:00 p.m., 7 days a week

**1-800-366-PART**  
(1-800-366-7278)



For in-home major brand repair service  
Call 24-hours a day, 7 days a week

**1-800-4-REPAIR**  
(1-800-473-7247)



For the location of a  
Sears Repair Service Center in your area  
Call 24-hours a day, 7 days a week

**1-800-488-1222**



For information on purchasing a Sears  
Maintenance Agreement or to inquire  
about an existing Agreement  
Call 9:00 a.m. - 5:00 p.m., Monday-Saturday

**1-800-827-6655**



**SEARS**  
**REPAIR SERVICES**  
*America's Repair Specialists*

## Tell Sears You Want It Installed, Then Relax...

When Sears arranges the installation, you can be sure the job is done right. We will arrange for professional workmanship...and we'll take care of the entire project. What's more, during installation you get insured protection...against property damage and also against accidents to workmen. All you have to do is talk to your Sears salesperson or call **1-800-865-6500** or your nearest Sears store today for detailed information.

**Sears, Roebuck and Co., Hoffman Estates, IL 60179 U.S.A.**